

# FC9000



## Features

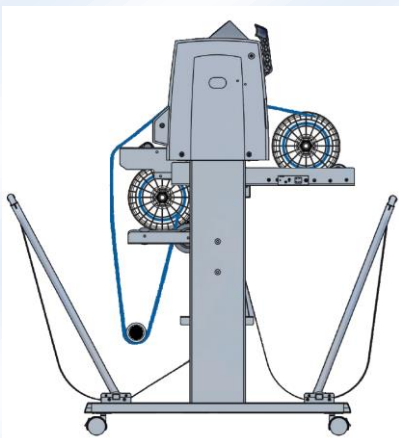
- Auto-Winds Forward and Back
- Infrared Sensor to Detect Media
- Allows Long-run Jobs for Increased Productivity
- Increases Capacity for Cutting Large Signs / POP



## Reliable long length tracking, With the auto take-up reel

The optional Auto Take-up Reel System for the FC9000 cutter boots production efficiency by automatically winding rolls of media using the equipped infrared sensor.

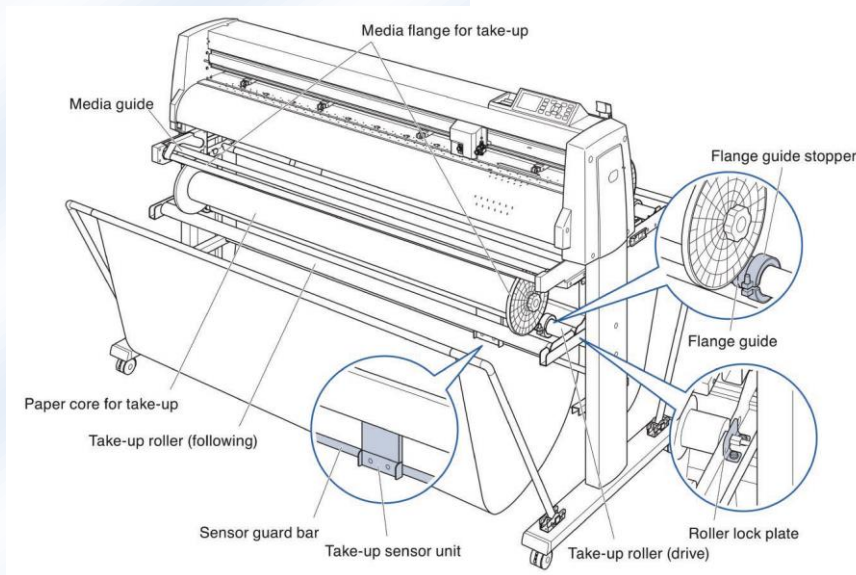
The Datalink Bar Code features works with take-up system to allow precision tracking of either direction to significantly improve your cutting efficiency.



MIDAS EXPORT USA, CORP

7205 NW 68<sup>TH</sup> ST #7 \* MIAMI, FL 33172 \* PH. 305 888 8899 \* email: [sales@midaswindowfilm.com](mailto:sales@midaswindowfilm.com)

# FC9000



INCLUDED PARTS	FUNCTION
<ul style="list-style-type: none"> <li>• Take-up Roller ( Drive / Following )</li> <li>• Media Guide</li> <li>• Flange Guide</li> <li>• Flange Guide Stopper</li> <li>• Take-up Sensor</li> <li>• Sensor Guard Bar</li> <li>• Roller Lock plate</li> <li>• Media Flange</li> </ul>	<ul style="list-style-type: none"> <li>• Driver unit for winding take-up media roll Supports media feeding.</li> <li>• Guides the media flange for take-up</li> <li>• Secures the flange guide</li> <li>• Detects the presence of media to be taken up</li> <li>• Protects the basket from touching the take-up sensor unit.</li> <li>• Plate for securing take-up drive roller</li> <li>• Secures media roll and supports feeding</li> </ul>